

LOGO POSITION APPROVAL

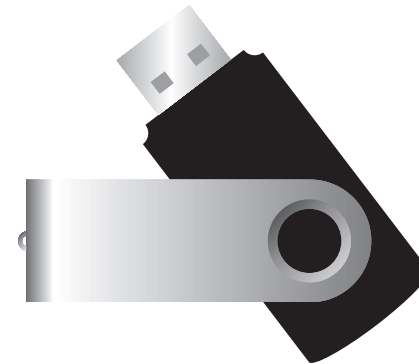
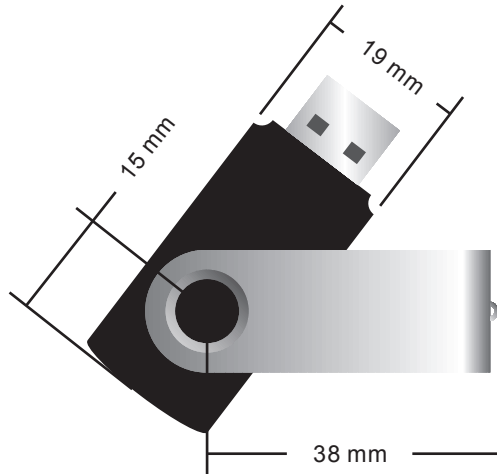
Date: 10-02-2015

Your reference: #

Product code: CM-1003 Flash Drive New York

Our reference: #

Product color: BLACK



Logo A:
Size : 23 x 10 mm

Pantone reference:

- :
- :
- :
- :

Logo B:
Size : 25 x 10 mm

Pantone reference:

- :
- :
- :
- :

PLEASE APPROVE BY E-MAIL WITH "LOGO POSITION APPROVED"